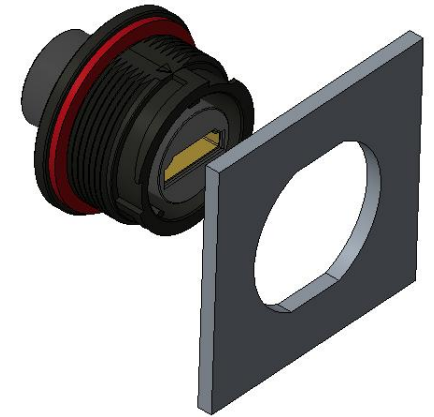
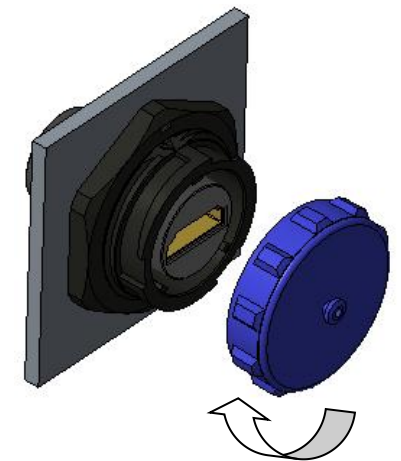


## SY2515-HDMI front-nut mount panel socket assembling instruction

1. Unscrew the cap



2. Unscrew the nut

3. Put the socket into the panel.  
(max panel thickness:3mm)4. Tighten the nut according to torque  
of 1-1.1N.m5. Tighten the cap and finish  
assembling.

Panel cutout

