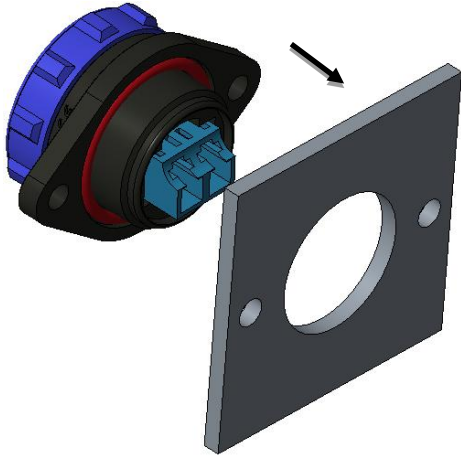
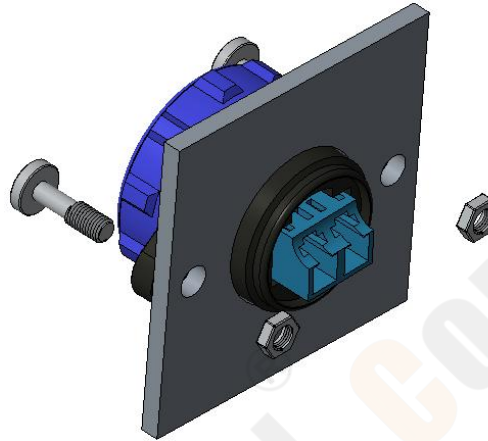


## SY2513-LC 2-hole flange mount panel socket assembling instruction

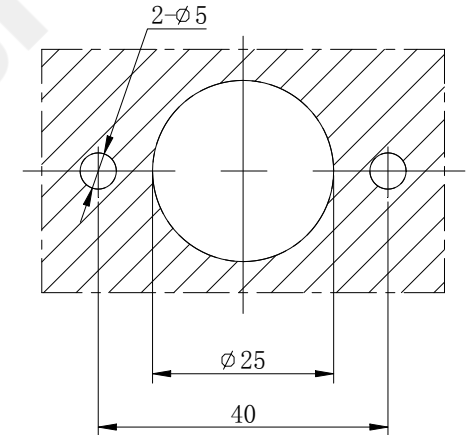
1. Put the socket into the panel.



2. Tighten the screws according to torque of 0.1N.m-0.15N.m



Panel cutout



3. Assembling finished

