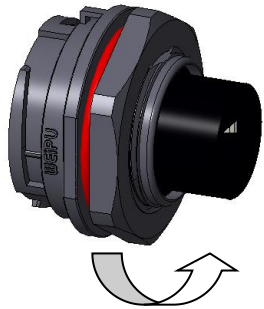
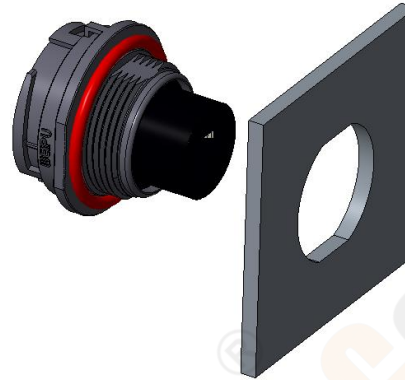


SY2512-RJ45 rear-nut mount panel socket assembling instruction

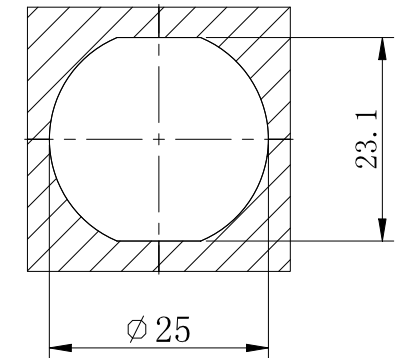
1. Unscrew the rear-nut



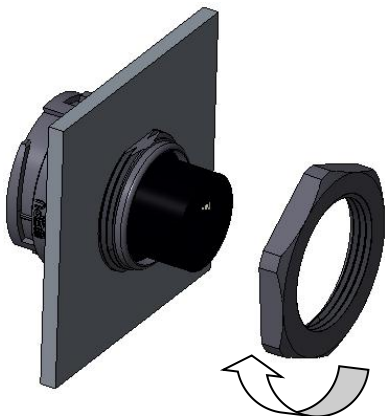
2. Put the socket into the panel.
(max panel thickness:3mm)



Panel cutout



3. Tighten the rear-nut according to torque
of 1-1.1N.m



4. Assembling finished.

