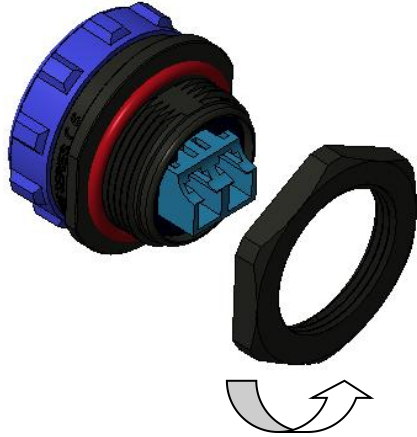
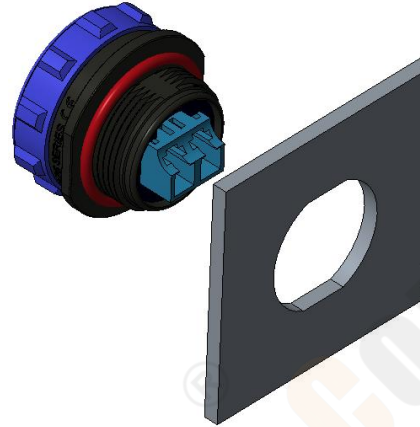


## SY2512-LC rear-nut mount panel socket assembling instruction

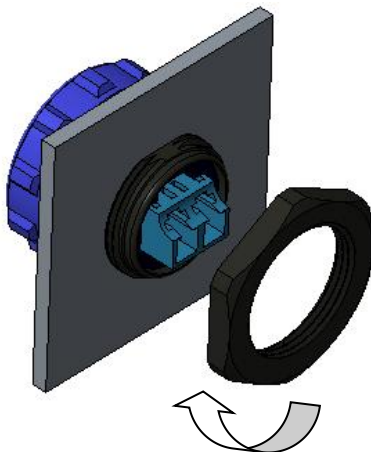
1. Unscrew the rear-nut



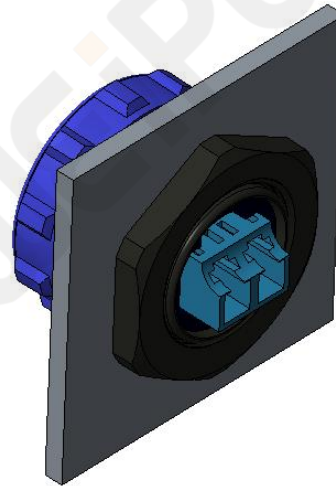
2. Put the socket into the panel.  
(max panel thickness:3mm)



3. Tighten the rear-nut according to torque  
of 1-1.1N.m



4. Assembling finished.



Panel cutout

