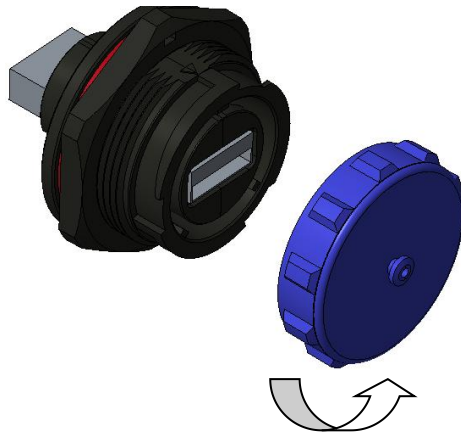


SY2515-USB front-nut mount panel socket assembling instruction

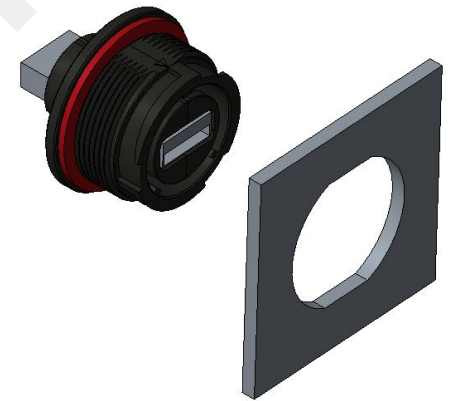
1. Unscrew the cap



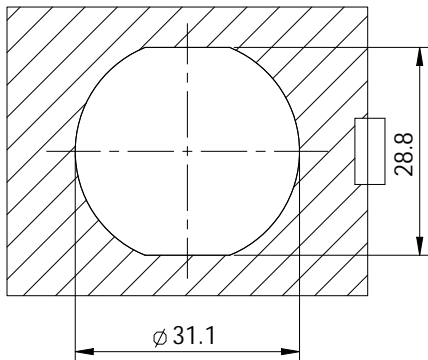
2. Unscrew the nut



3. Put the socket into the panel.
(max panel thickness:3mm)



Panel cutout



4. Tighten the nut according to torque of 1-1.1N.m



5. Tighten the cap and finish assembling.

