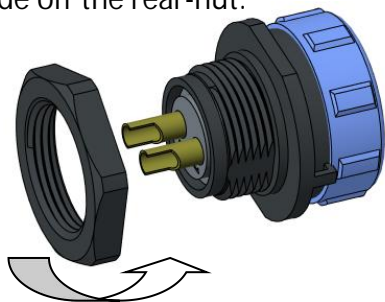
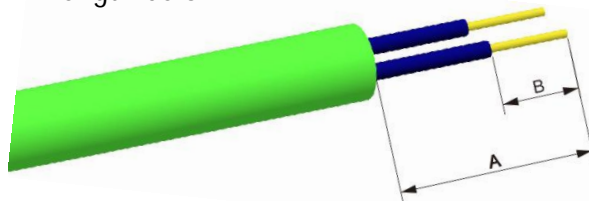


SP、SY Series Rear-nut Socket Assembling Instruction

1、Slide off the rear-nut.

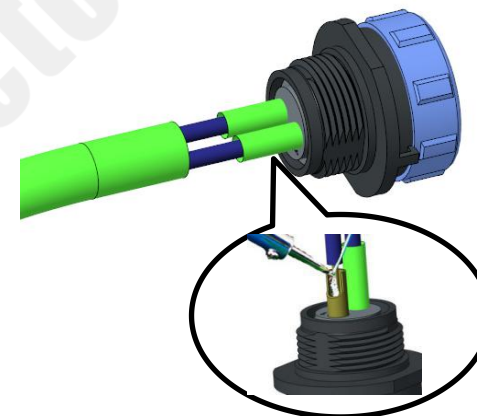


2、Strip the wire based on the recommended length below.



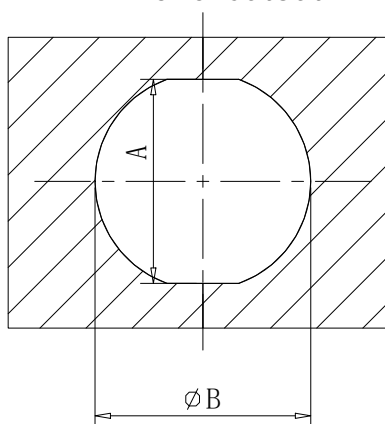
Series	A(mm)	B(mm)
SP11/SY11	12	6
SP13/SY13	12	6
SP17/SY17	12	6
SP21/SY21/SP25/SY25	12	6
SP29/SY29	12	6

3、Solder the wire and then wrap it with a heat-shrinkable tube.



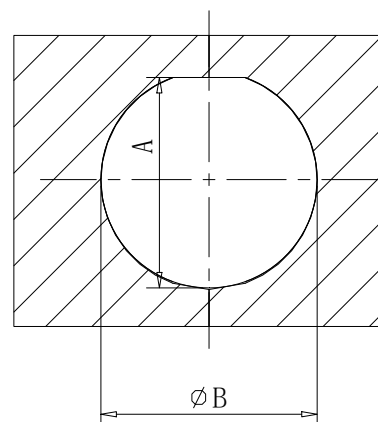
4、Drill the hole based on the suggested panel cutout size.

SP/SY Series
Panel Cutout



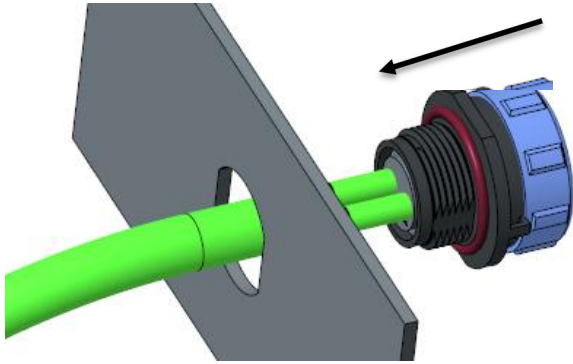
Series	A(mm)	B(mm)
SP11/SY11	9.9	11
SP13	11.8	13
SP17	15.6	17
SP21	19.8	21
SP25/SY25	23.1	25
SP29	26.8	29.2
SY29	26.6	29.2

SY13/17/21
Panel Cutout

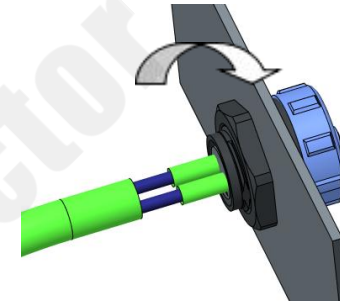


Series	A(mm)	B(mm)
SY13	12.3	13
SY17	16.1	17
SY21	20.2	21

5、 Put the assembled cable into the panel.



6、 Tighten the rear-nut according to the below torque.



Series	Torque (N.M)
SP11/SY11/SP13/SY13	0.5-0.6
SP17/SY17	0.9-1
SP21/SY21/SP25/SY25	1-1.1
SP29/SY29	1-1.1