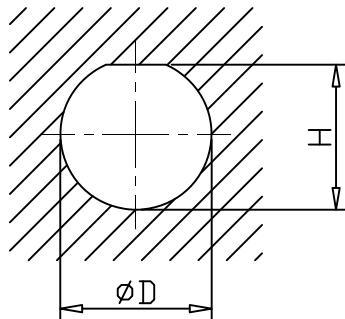


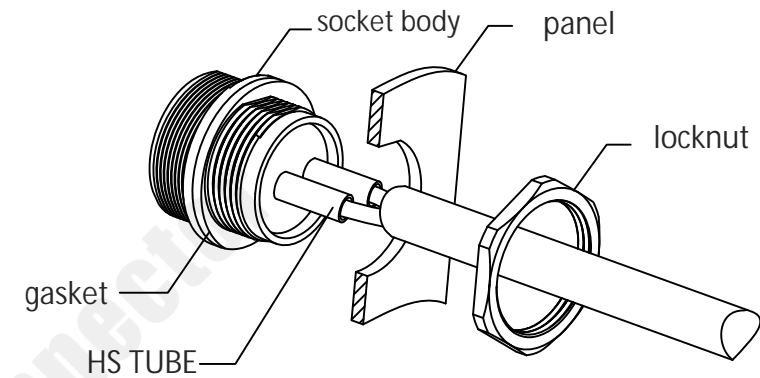
## WS16-28 rear-nut mount socket Assembling Instruction-Solder

Panel cutout (mm)



Series	D	H
WS16	15.9	15.3
WS20	19.7	19.3
WS24	23.7	23.2
WS28	27.7	26.9

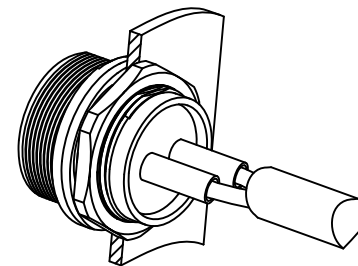
1. Cut holes on the panel according to the above size



2. Unscrew the locknut

3. Put the stripped cable through the nut and panel

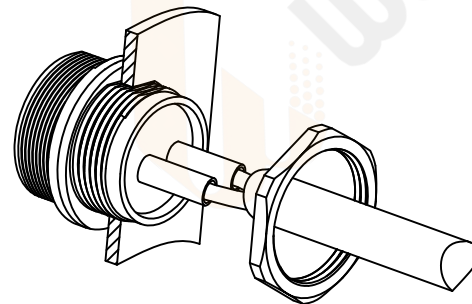
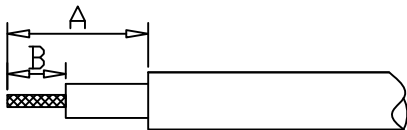
4. Solder the wire to the contact and wrap with heat shrinkable tube after soldering.



6. Tighten the locknut according to torque

Series	Torque
WS16	0.8-1.0 N/m
WS20	0.8-1.0 N/m
WS24	1.0-1.2 N/m
WS28	1.0-1.2 N/m

Strip length



5. Install the socket into the panel.  
Note : The gasket should be placed between the panel and locknut.

Series	A (mm)	B (mm)
16	18	8
20-28	25	
32-55	30	